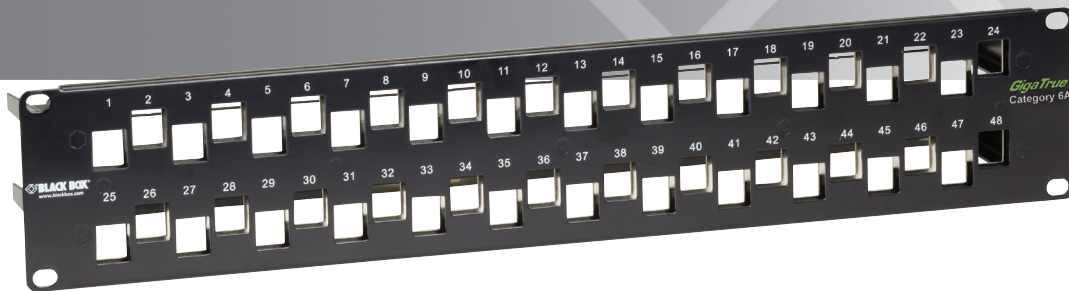


24- and 48-Port Category 6A Staggered Patch Panels

Staggered design helps minimize ANEXT between ports for 10-Gigabit Ethernet applications.

- Designed for Category 6A UTP jacks.
- Staggered port design keeps alien near-end crosstalk (ANEXT) low to improve performance.



Customer Support Information

Order toll-free in the U.S.: Call 877-877-BBOX (outside U.S. call 724-746-5500)
FREE technical support 24 hours a day, 7 days a week: Call 724-746-5500 or fax 724-746-0746
Mailing address: Black Box Corporation, 1000 Park Drive, Lawrence, PA 15055-1018
Web site: www.blackbox.com • E-mail: info@blackbox.com

Specifications

Number of Ports — C6AMP70-24: 24;
C6AMP70-48: 48

Size — C6AMP70-24: 1.75"H (1U) x 19"W x 0.4"D
(4.4 x 48.3 x 1.1 cm);
C6AMP70-48: 3.5"H (2U) x 19"W x 0.4"D
(8.9 x 48.3 x 1.1 cm)

Weight — C6AMP70-24: 0.89 lb. (0.4 kg);
C6AMP70-48: 1.77 lb. (0.81 kg)

Overview

This Category 6A Staggered Patch Panel is specially designed for high-speed 10-Gigabit Ethernet applications. The staggered ports provide more spacing between ports to help minimize alien near-end crosstalk (ANEXT), which is a critical measurement for Category 6A. The panel is made of cold rolled steel and comes with one or two rear cable management bars to support the individual cabling runs. You can install the panel in a standard 19" relay rack or cabinet.

What's Included

Your package should include the following items. If anything is missing or damaged, please contact Black Box at 724-746-5500 or info@blackbox.com.

C6AMP70-24:

- (1) Category 6A Staggered Patch Panel
- (4) 10-32 cup head screws
- (4) 12-24 cup head screws
- (1) Rear Cable Management Bar
- (1) User's Manual

C6AMP70-48:

- (1) Panel
- (1) Set of 4, 10-32 cup head screws
- (1) Set of 4, 12-24 cup head screws
- (2) Rear Cable Management Bars
- This user's manual

Assembly Instructions

1. Terminate the individual GigaTrue Category 6A jacks using the instruction sheets supplied with those products.

NOTE: Do not install Category 6A jacks onto the panel first.

2. Insert the terminated jacks into the unloaded adapter panel. See Figure 1.

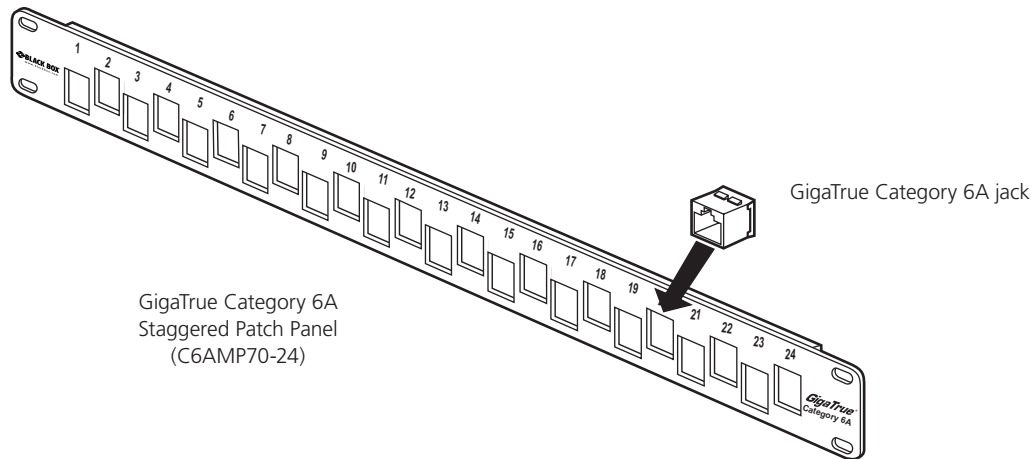


Figure 1. Installing the Category 6A jacks into the patch panel.

3. Without using the cable management bar, mount the panels in a standard 19" relay rack using the supplied hardware. See Figure 2.

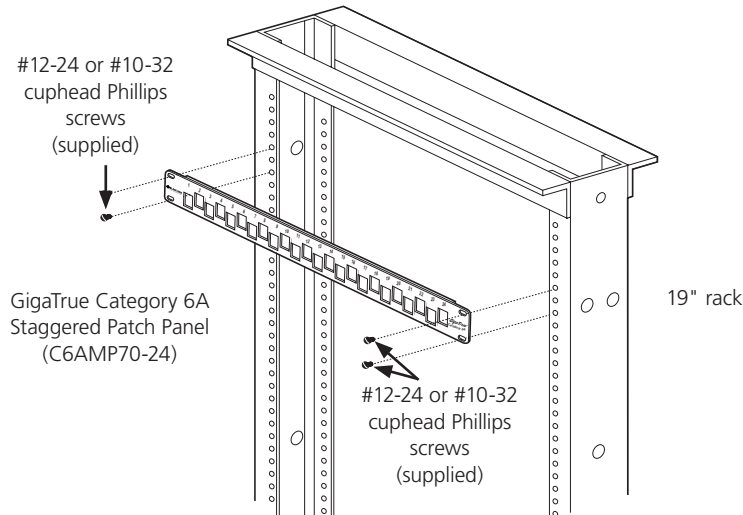


Figure 2. Installing the patch panel onto a rack.

Using the Cable Management Bar

1. Remove the two cuphead screws from the rear side of the patch panel.

2. Position the cable management bar on the patch panel and reinstall the two cuphead screws to secure the cable management bar.

3. Place the horizontal cable in one of the panel's rear ports. Unscrew the corresponding silver clip behind the installed port and position the horizontal cable under the silver bracket. Tighten the screw.

4. For a 48-port patch panel (C6AMP70-48), repeat Steps 1 through 3 to install the second cable management bar.

Black Box Tech Support: FREE! Live. 24/7.

Tech support the
way it should be.



Great tech support is just 30 seconds away at 724-746-5500 or blackbox.com.



About Black Box

Black Box provides an extensive range of networking and infrastructure products. You'll find everything from cabinets and racks and power and surge protection products to media converters and Ethernet switches all supported by free, live 24/7 Tech support available in 30 seconds or less.

© Copyright 2013. Black Box Corporation. All rights reserved. Black Box® and the Double Diamond logo are registered trademarks of BB Technologies, Inc. Any third-party trademarks appearing in this manual are acknowledged to be the property of their respective owners.